

# **A48(W) Quick Start Guide**

Version 1.0

2016-03-21

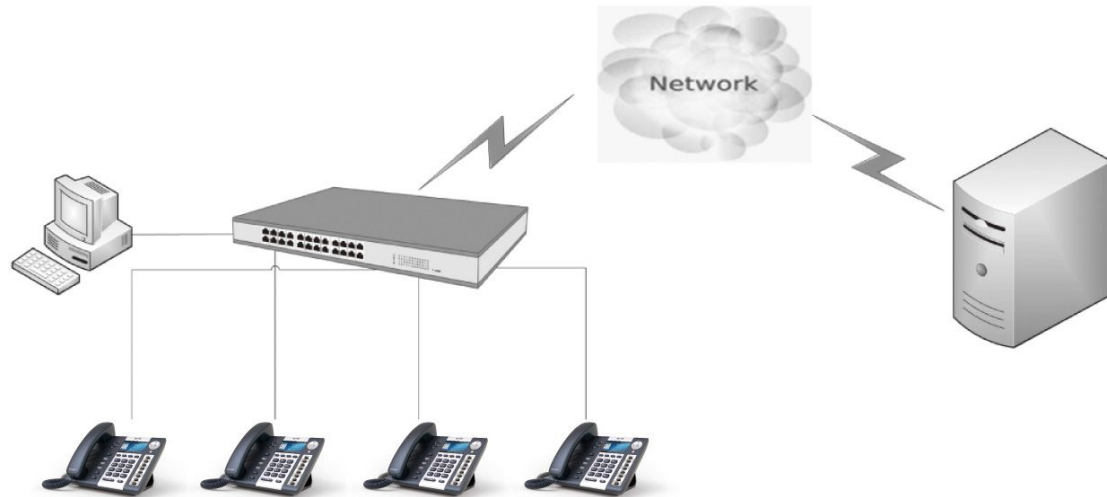
# Content

1. Installation and access.....	3
1.1 Connection.....	3
1.2 Stand bracket installation instruction.....	3
1.3 Programmable keys' paster using instruction.....	7
1.4 Wiring instruction.....	8
2. Configuring phone.....	9
2.1 Configuring via keypad.....	10
2.2 Configuring via Webpage.....	10
2.2.1 Login to web.....	10
2.2.2 Network Configuration.....	11
2.2.3 Account Configuration.....	12
2.3 Wi-Fi(only for A48W).....	15
2.3.1 Configure the wifi on the phone.....	15
2.3.2 Configure the wifi on the WEB.....	15

# 1. Installation and access

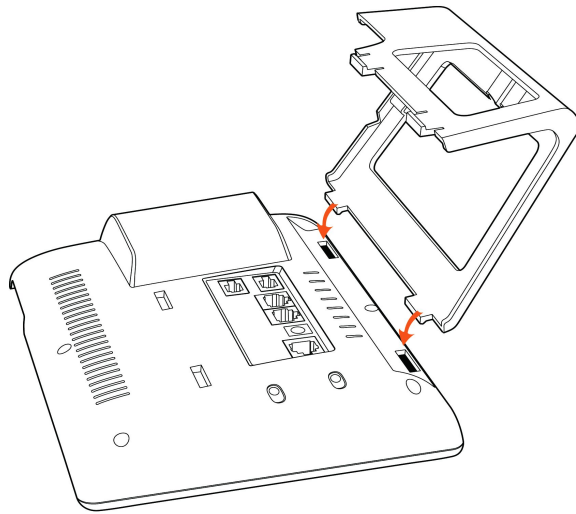
## 1.1 Connection

Set up A48 as below:

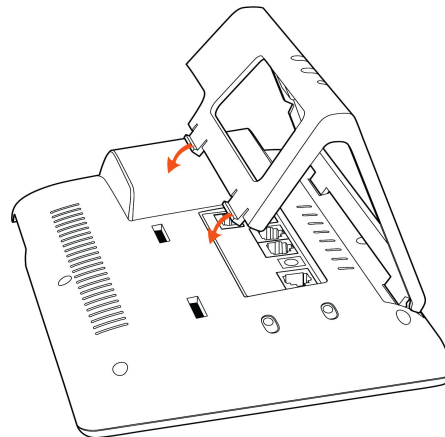


## 1.2 Stand bracket installation instruction

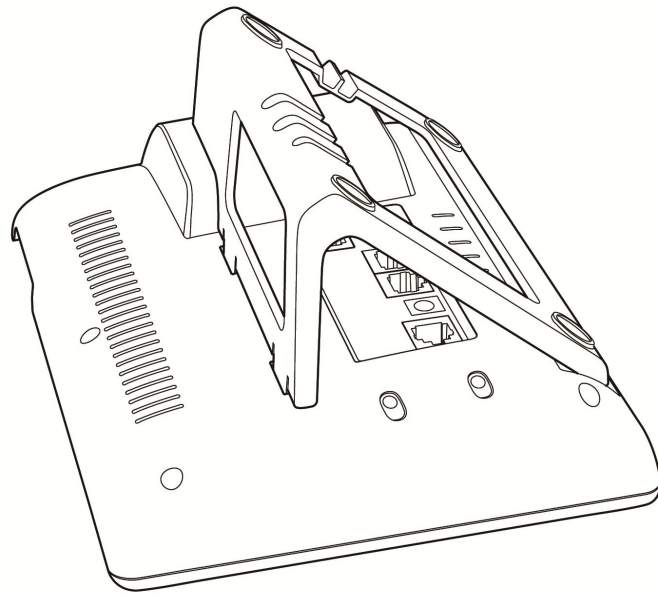
A. Put the bottom side of the IP phone upside and press one-side joints of stand bracket into the slot, please refer the picture as below:



B. Press the other side joints into the slot according to the direction of the arrow:

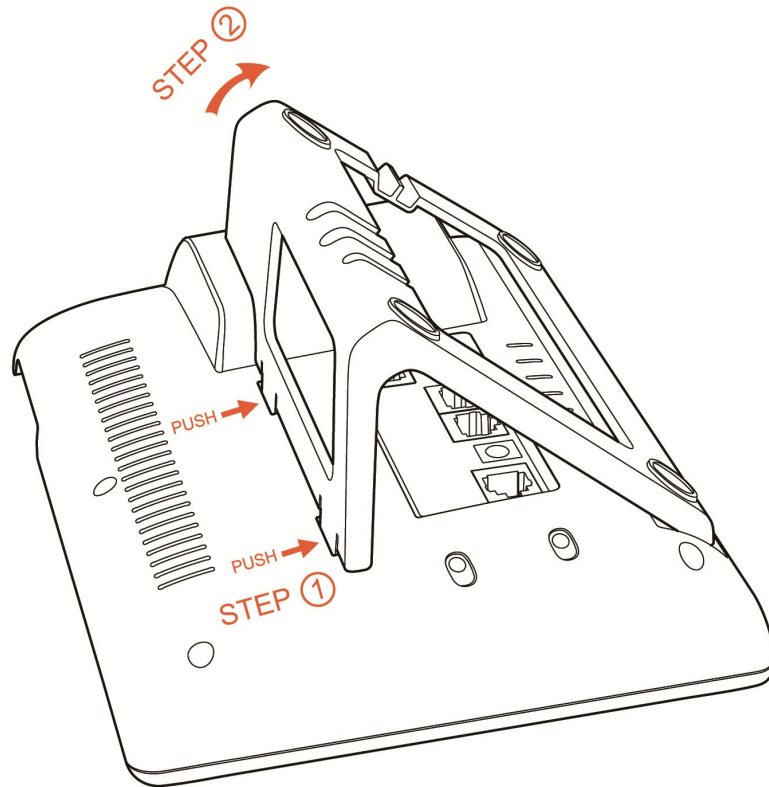


C. It is the right picture after fixing the stand bracket below:

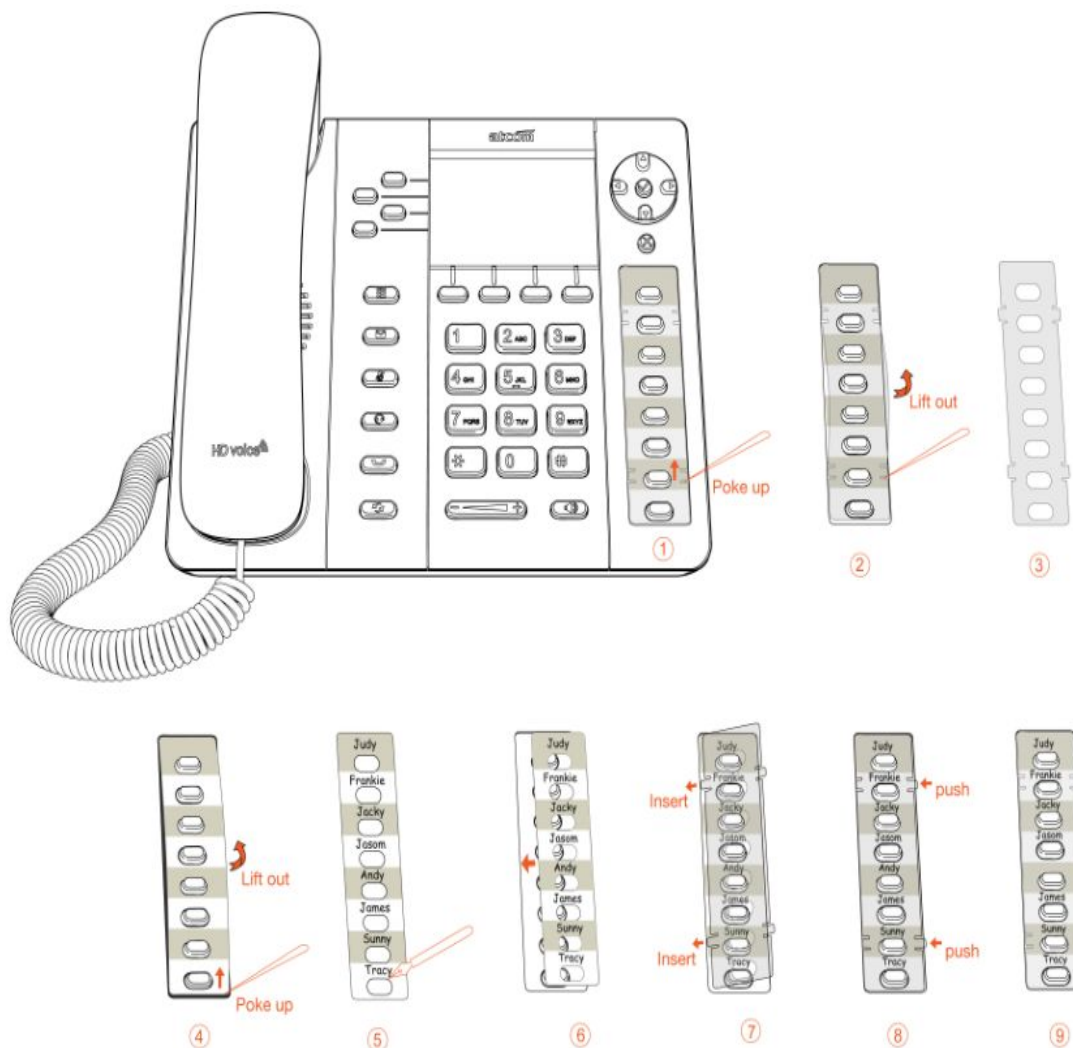


D. Disassemble the stand bracket:

Push the spring joint of stand and pull the stand according to the direction of the arrow. When the joints are pulled out of the slot, you can take off the stand bracket.



## 1.3 Programmable keys' paster using instruction



Step1. Use needle or some other tools to insert into the hole of the plastic sheet, hog the plastic sheet.

Step2. Lift out the plastic sheet

Step3. Take off the plastic sheet

Step4. Use needle or some other tools to insert into the edge of the paster, hog and lift out the paster

Step5. Write down the identification of each programmable key on the paster after taking off the paster

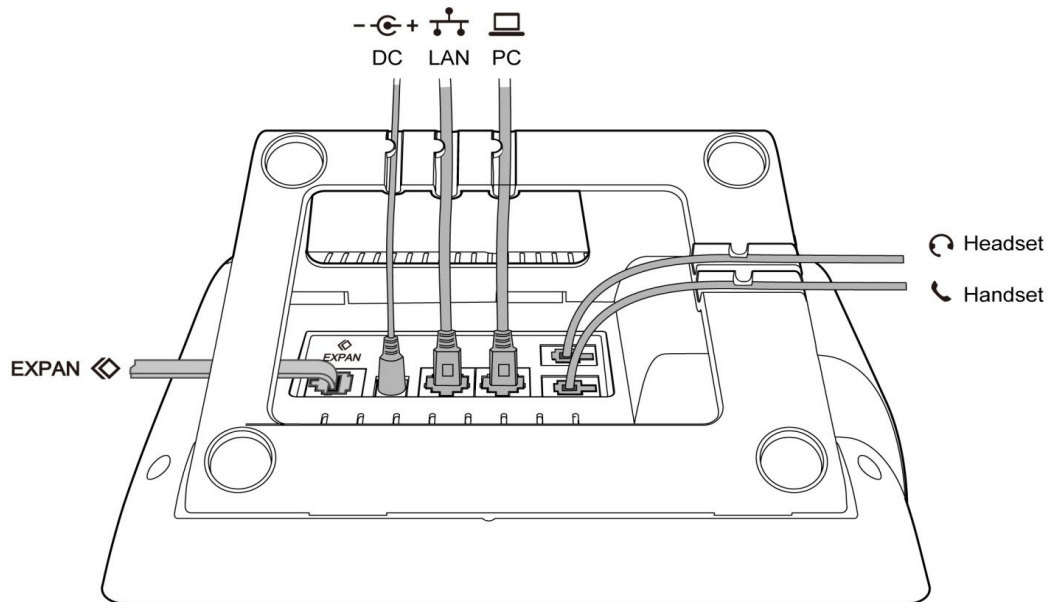
Step6. Put back the paster

Step7. Insert the plastic sheet into the slot

Step8. Push the other side of the plastic sheet into the other slot

## 1.4 Wiring instruction

After stand bracket fixed, please plug in all wires or cables as below:





## 2. Configuring phone



A48(W)



A48(W) with RET

## 2.1 Configuring via keypad

**Language Setting:** The default language of the phone is English, it supports Chinese, Russian, Arabic, German, French, Portuguese, Turkish, Spanish, Hebrew, Hungarian, Italian.

Press **Menu- Setting- Basic Setting- Language** to edit the language list, choose the one you'd like to set on the phone.

**Note:** The available language maybe different, it depends on the language packs currently loaded to the IP phone.

### **Network Setting:**

Press **Menu- Setting- Basic Setting-** input default password 'admin'- **Network- LAN Prot/ PC Port/ VLAN/Web server** to enter the internet related configuration page.

Or review its current IP address by pressing  key when it is powered on and connected to the network.

### **Account Setting:**

Press Menu- Setting- Basic Setting- input default password 'admin'- Account- Enter to configure the account setting. You can refer to the bellow 'Configuring via Web page' for the parameter details.

## 2.2 Configuring via Webpage

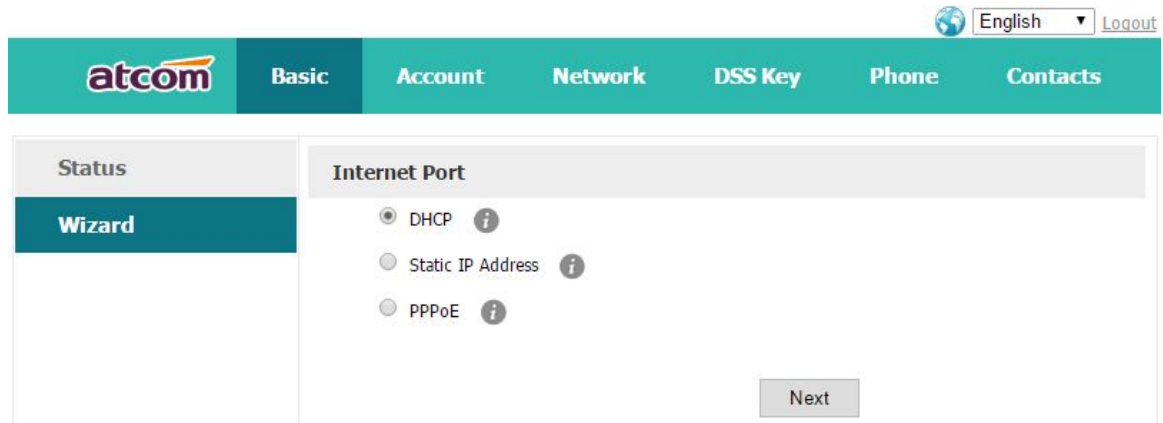
### 2.2.1 Login to web

Connect the PC and telephone in one network, input the IP address of telephone at a browser and press "Enter", you will be required to input the username and password to access the web page. The username/password as below:

Username	Password	Description
admin	admin	For Administrators
user	user	For General Users

## 2.2.2 Network Configuration

There are 3 options for network access.



English ▼ Logout

atcom Basic Account Network DSS Key Phone Contacts

Status

Wizard

Internet Port

DHCP ⓘ

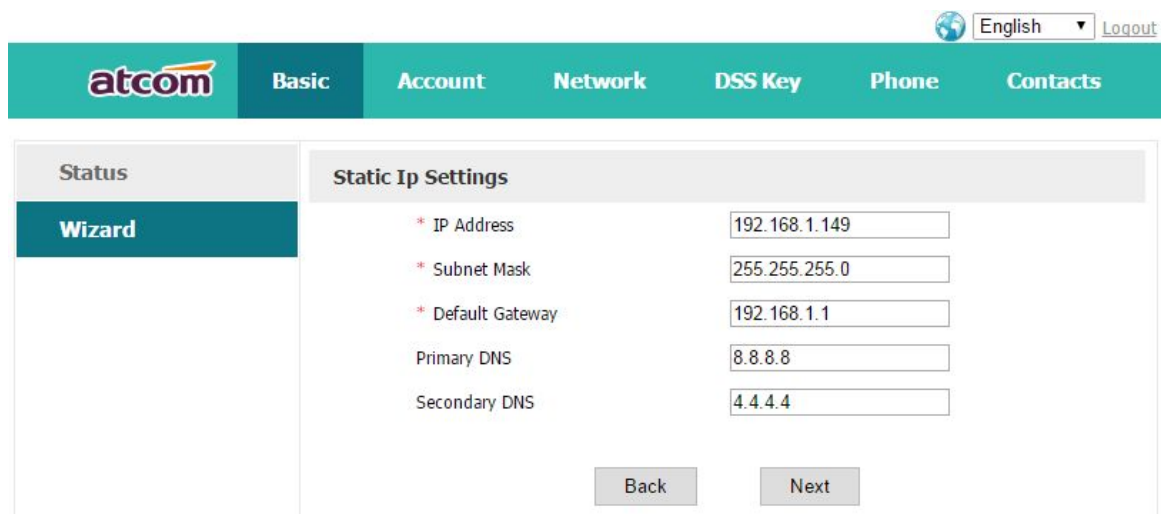
Static IP Address ⓘ

PPPoE ⓘ

Next

1.If chosen DHCP, the telephone will be assigned a IP address automatically, click the button "**Next**" to enter the web page of "**Account Configuration**".

2. If chosen Static IP, user should input the IP address manually for the telephone, click the button "**Next**" to enter the web page of "Static IP Address".



English ▼ Logout

atcom Basic Account Network DSS Key Phone Contacts

Status

Wizard

Static Ip Settings

\* IP Address

\* Subnet Mask

\* Default Gateway

Primary DNS

Secondary DNS

Back Next

After IP address filled manually, click the button "**Next**" to enter the web page of "**Account Configuration**", or click the button "**Back**" to back to web page of "**Network Configuration**".

3.If chosen PPPOE, user should input the username/password (provide by ISP) of PPPOE manually and then click the button "**Next**" to enter the web page of "**PPPOE**",

English ▼ [Logout](#)

atcom
Basic
Account
Network
DSS Key
Phone
Contacts

Status	<b>PPPoE Settings</b>
Wizard	<div style="margin-bottom: 5px;">* User <input style="width: 100%;" type="text" value="pppoe"/></div> <div style="margin-bottom: 5px;">* Password <input style="width: 100%;" type="password" value="....."/></div> <div style="text-align: right; margin-top: 10px;"> <input type="button" value="Back"/> <input type="button" value="Next"/> </div>

After the username/password of PPPoE filled manually, click the button **"Next"** to enter the web page of **"Account Configuration"**, or click the button **"Back"** to back to web page of **"Network Configuration"**.

Network Configuration can be completed in below webpage,

English ▼ [Logout](#)

atcom
Basic
Account
Network
DSS Keys
Phone
Contacts

Basic	
Wi-Fi	
Advanced	

**Internet Port**

DHCP i

Static IP Address i

\* IP Address

\* Subnet Mask

\* Default Gateway

Primary DNS

Secondary DNS

PPPoE i

\* User

\* Password

## 2.2.3 Account Configuration


The account configuration info will be saved to Line 1.




Status	SIP Settings	
<b>Wizard</b>	Account Active	Enable <span>▼</span>
	Label	<input type="text"/> <span>i</span>
	Display Name	<input type="text"/> <span>i</span>
	Register Name	<input type="text"/> <span>i</span>
	* User Name	6030 <span>i</span>
	Password	**** <span>i</span>
	* SIP Server	192.168.1.123 Port <input type="text" value="5060"/> <span>i</span>
		<input type="button" value="Back"/> <input type="button" value="Finish"/>

Click the button **“Finish”** to save network configuration and account configuration, and click **“Back”** back to the previous web page.

Account Configuration can be completed in below webpage,

 English v [Logout](#)


Basic
Account
Network
DSS Keys
Phone
Contacts

Basic
Codecs
Advanced

Account
Account 1 v

Register Status	Registered	
Account Active	Enable <span style="font-size: small;">v</span>	
Label	<input type="text"/>	i
Display Name	<input type="text"/>	i
Register Name	<input type="text"/>	i
* User Name	<input type="text" value="6030"/>	i
Password	<input type="password" value="••••"/>	i
* SIP Server	<input type="text" value="192.168.1.123"/>	Port <input type="text" value="5060"/> <span style="font-size: small;">i</span>
Enable Outbound Proxy Server	Disable <span style="font-size: small;">v</span> <span style="float: right; font-size: small;">i</span>	
Outbound Proxy Server	<input type="text"/>	Port <input type="text" value="5060"/> <span style="font-size: small;">i</span>
Enable Peer-to-Peer	Disable <span style="font-size: small;">v</span> <span style="float: right; font-size: small;">i</span>	
Transport Type	UDP <span style="font-size: small;">v</span> <span style="float: right; font-size: small;">i</span>	
NAT Traversal	STUN <span style="font-size: small;">v</span> <span style="float: right; font-size: small;">i</span>	
STUN Server	<input type="text"/>	Port <input type="text" value="3478"/> <span style="font-size: small;">i</span>
Voice Mail	<input type="text"/>	i
Anonymous Call	Off <span style="font-size: small;">v</span> <span style="float: right; font-size: small;">i</span>	
On Code	<input type="text"/>	i
Off Code	<input type="text"/>	i
Anonymous Call Rejection	Off <span style="font-size: small;">v</span> <span style="float: right; font-size: small;">i</span>	
On Code	<input type="text"/>	i
Off Code	<input type="text"/>	i
Ring Tones	Common <span style="font-size: small;">v</span> <span style="float: right; font-size: small;">i</span>	

Confirm
Cancel

- ✓ Enable: whether enable this SIP register.
- ✓ Label: The name of the displayed on the phone LCD.
- ✓ Display Name: This name will display on the screen of A48. It will display the name configured for the SIP account by the SIP server preferentially. It can also be kept blank.
- ✓ Register ID: normally is the same as User ID, can also be kept blank if there is no special requirement from the SIP server.
- ✓ User ID: Username of SIP account.
- ✓ Password: Password of SIP account.
- ✓ Sip Server: SIP server address, support both IP address and domain name.
- ✓ Sip Port: SIP server port, default is 5060.

## 2.3 Wi-Fi (only for A48W)

### 2.3.1 Configure the wifi on the phone

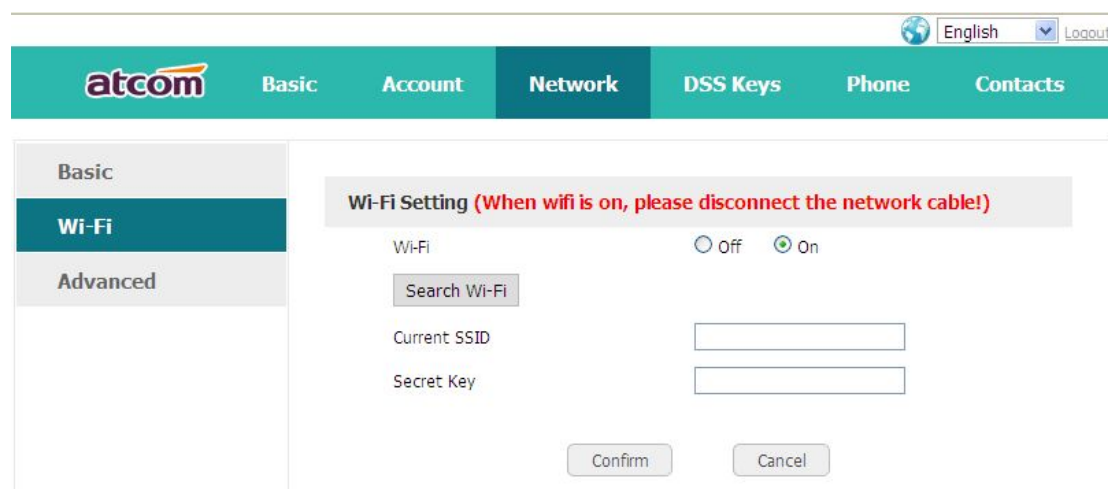
1、 Press **"Menu"**-**"Network"**-**"Connect Mode"**,change for the wifi connection mode,press **"OK"**.

2、 Press **"Menu"**-**"Network"**-**"WIFI setting"**-**"WLAN"**,choose the wifi you want to connect,Press **"Connect"**,then input the correct wifi password.

3、 Return to the standby interface,and phone successful connected to the wifi.

### 2.3.2 Configure the wifi on the WEB

A48 connect to network via Wi-Fi acquiescently, click **"Search Wi-Fi"** button to search the available Wi-Fi.




The screenshot shows the ATCOM web interface. At the top right, there is a language dropdown set to "English" and a "Logout" link. Below this is a teal navigation bar with the ATCOM logo and menu items: "Basic", "Account", "Network" (highlighted), "DSS Keys", "Phone", and "Contacts". On the left side, there is a sidebar with "Basic", "Wi-Fi" (highlighted), and "Advanced" options. The main content area is titled "Wi-Fi Setting (When wifi is on, please disconnect the network cable!)" and contains the following elements:

- A "Wi-Fi" toggle switch, currently set to "On".
- A "Search Wi-Fi" button.
- Input fields for "Current SSID" and "Secret Key".
- "Confirm" and "Cancel" buttons at the bottom.

After all available Wi-Fi hotspots are list out, click the round behind the available Wi-Fi which you want to connect.

Index	SSID	Signal	Select
1	cisco	211	<input type="radio"/>
2	360	207	<input type="radio"/>
3	re	207	<input type="radio"/>
4	amoji	205	<input type="radio"/>
5	CHINA TELECOM	205	<input type="radio"/>
6	360_____WIFI-C9	197	<input type="radio"/>
7	_____	197	<input type="radio"/>
8	_____	190	<input type="radio"/>
9	inWatch3	189	<input type="radio"/>
10	ChinaNet-7A6t	188	<input type="radio"/>
11	360_____WIFI-9F	185	<input type="radio"/>
12	iTV-7A6t	185	<input type="radio"/>
13	inWatch2	185	<input type="radio"/>
14	Royale International China	184	<input type="radio"/>

Input the right **“Secret Key”** and then click the **“Confirm”** button, the phone will reboot, and you should disconnect the wire that connect to A48 during rebooting, or the phone will connect to network via wire preferentially. The Wi-Fi icon will display on the home screen, it means connect failed when the icon come with , you should to check the configuration.