

A21 Quick Start Guide

Version 1.0

2015-10-13

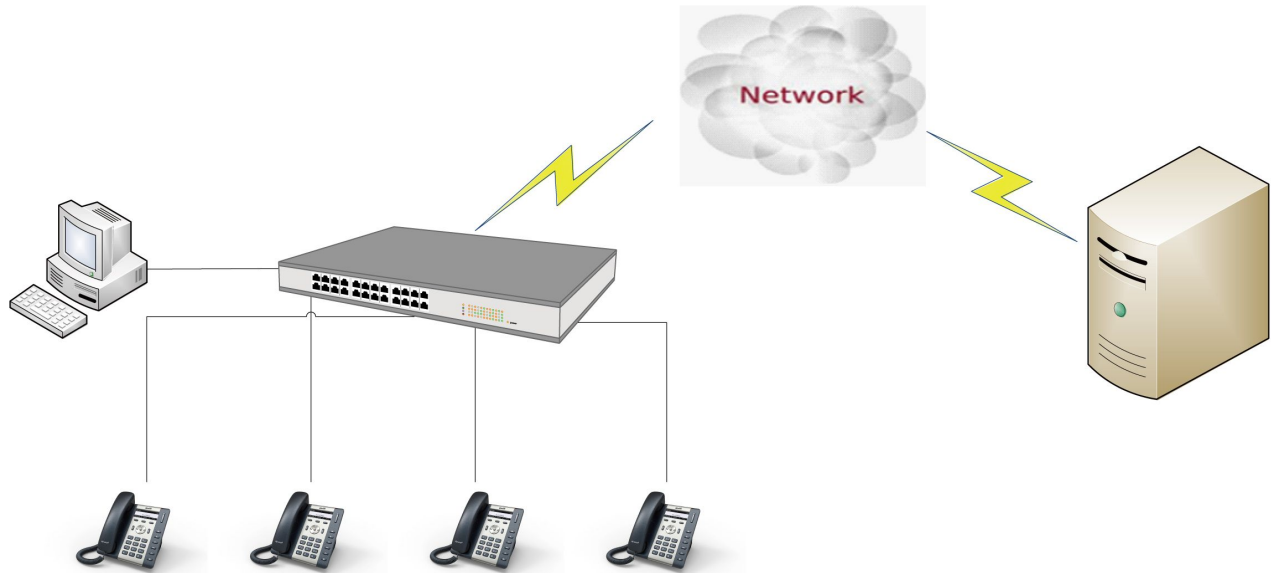
Content

1. Installation and access.....	2
1.1 Connection.....	2
1.2 Installation instruction.....	2
2. Configuring phone.....	8
2.1 Configuring via keypad.....	8
2.2 Configuring via Webpage.....	9
2.2.1 Login to web.....	9
2.2.2 Configure phone to register SIP account.....	9
a) Network Configuration.....	9
b) Account Configuration.....	10
2.3 Wi-Fi.....	12
2.3.1 Configure the wifi on the WEB.....	12
2.3.2 Configure the wifi on the phone.....	13

1. Installation and access

1.1 Connection

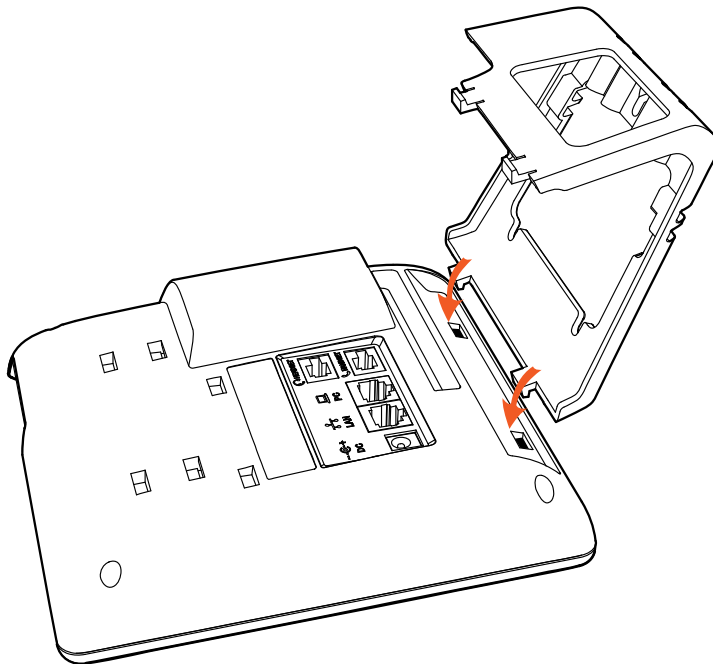
Set up A21 as below:



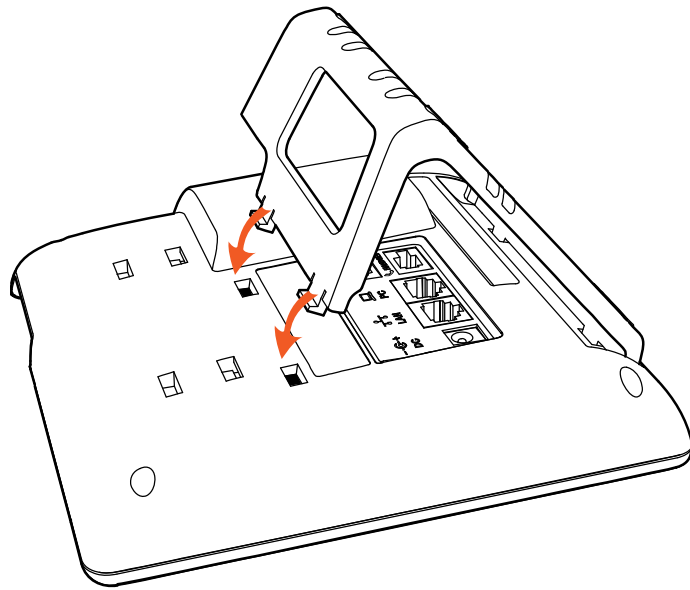
1.2 Installation instruction

1. Desktop installation

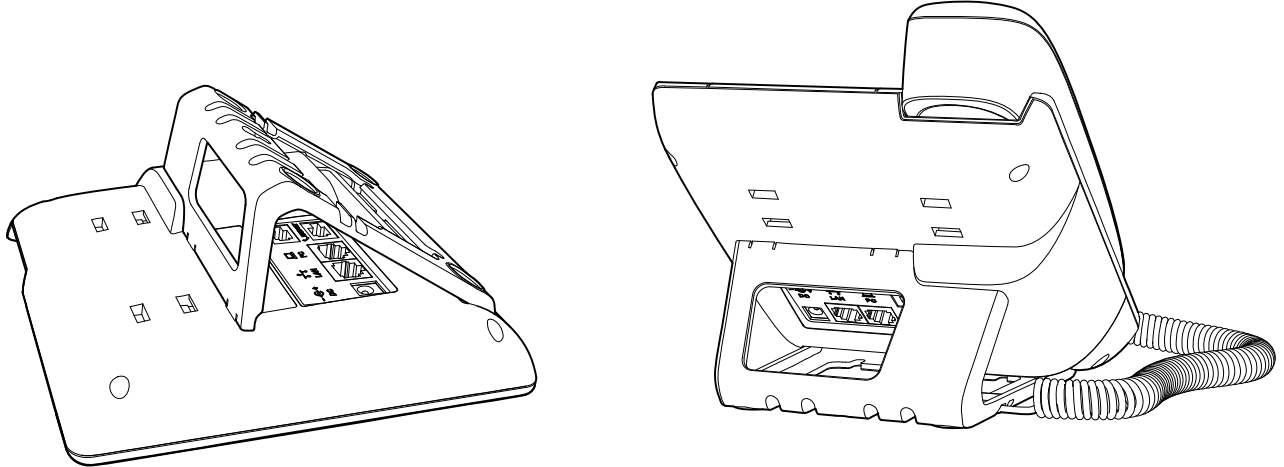
A. Put the bottom side of the IP phone upside and press the plate into the slot, please refer the picture as below:



B. Press the other plate into the slot according to the direction of the arrow

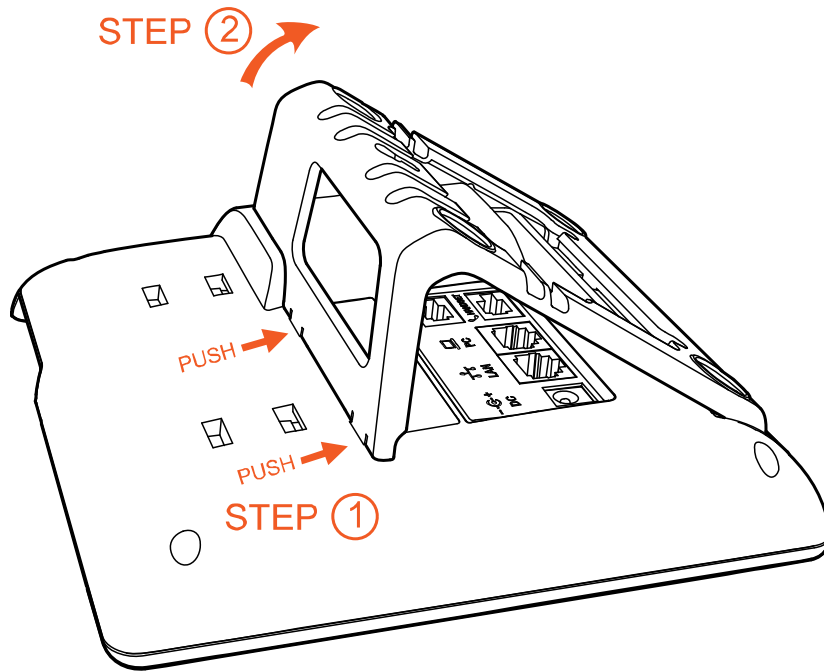


C. It is the right picture after fixing the feet below:



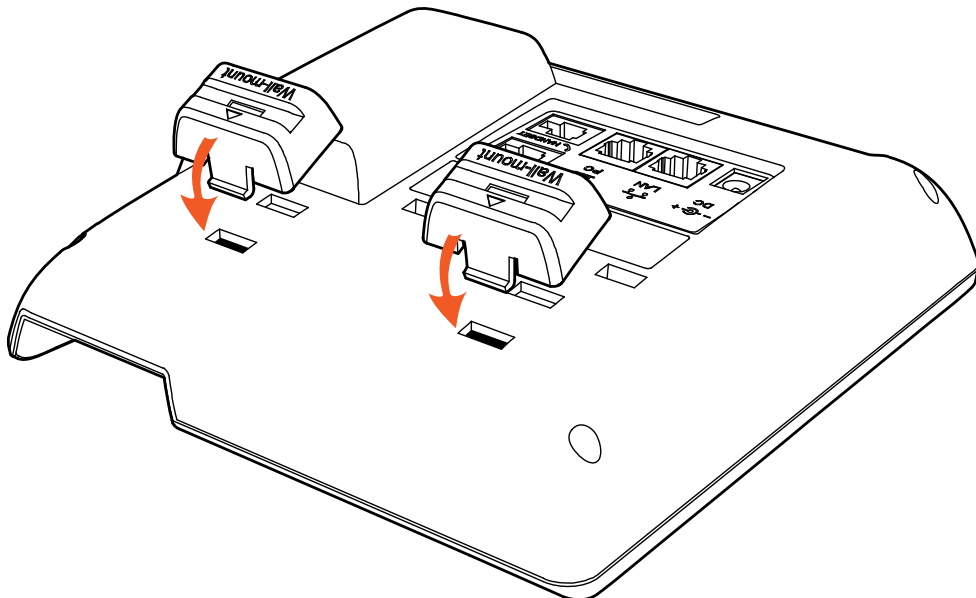
D. Disassemble the feet:

Push the plate and pull the feet according to the direction of the arrow. When the plate is pulled out of the slot, you can take off the feet

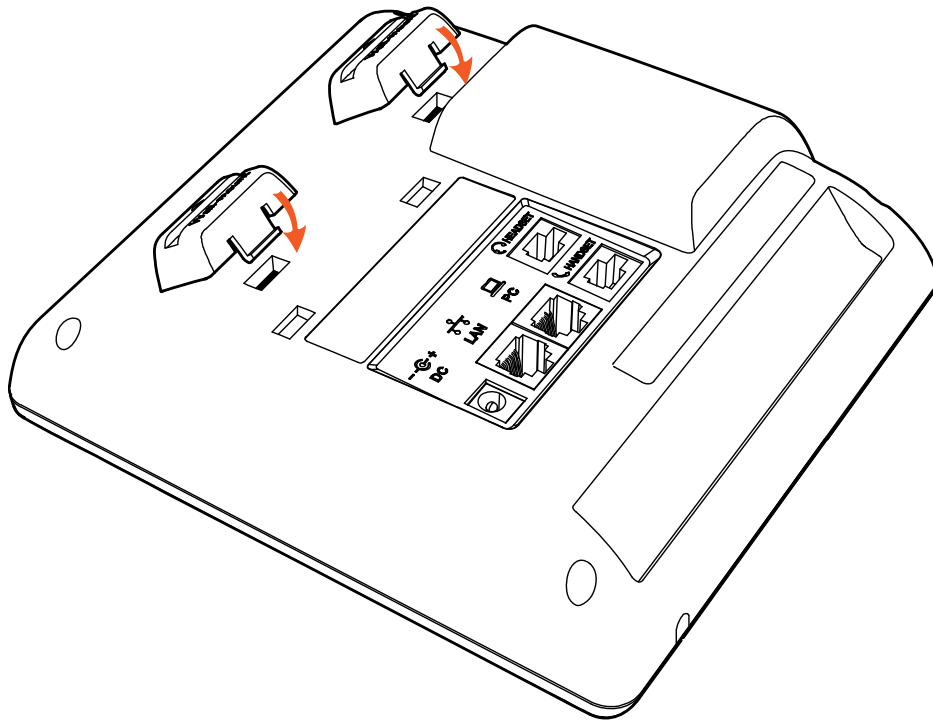


2. Wall-hung Installation

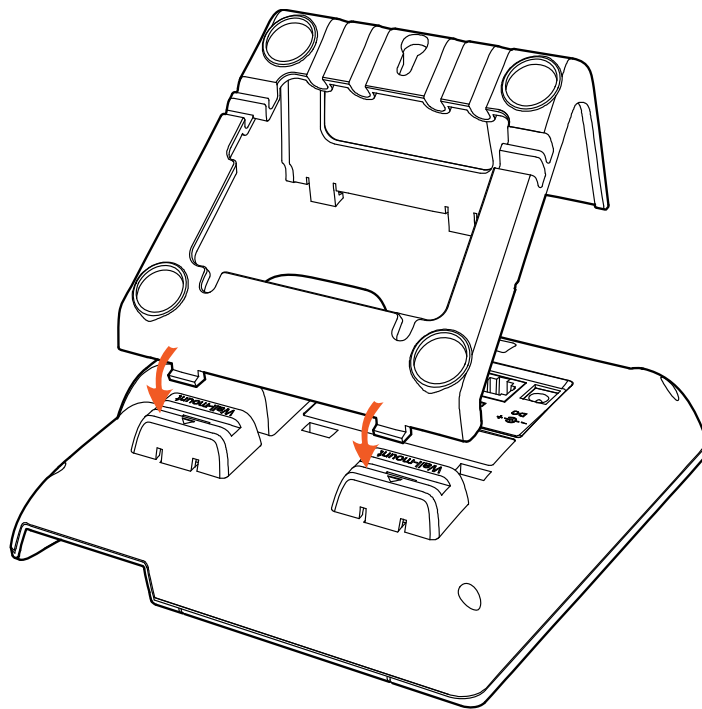
A. Put the bottom side of the IP phone upside and press one-side joints of wall-hung stand bracket into the slot, please refer the picture as below:



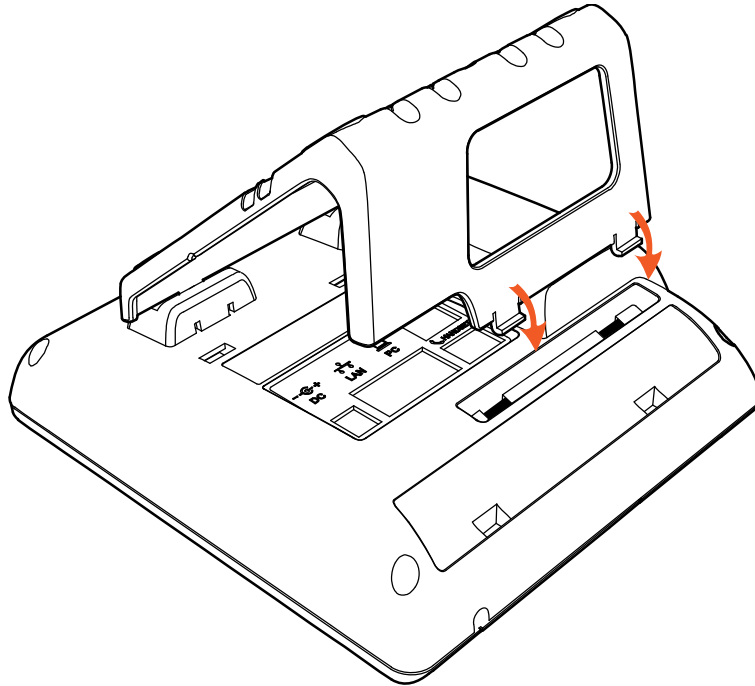
B. Press the other side joints into the slot according to the direction of the arrow



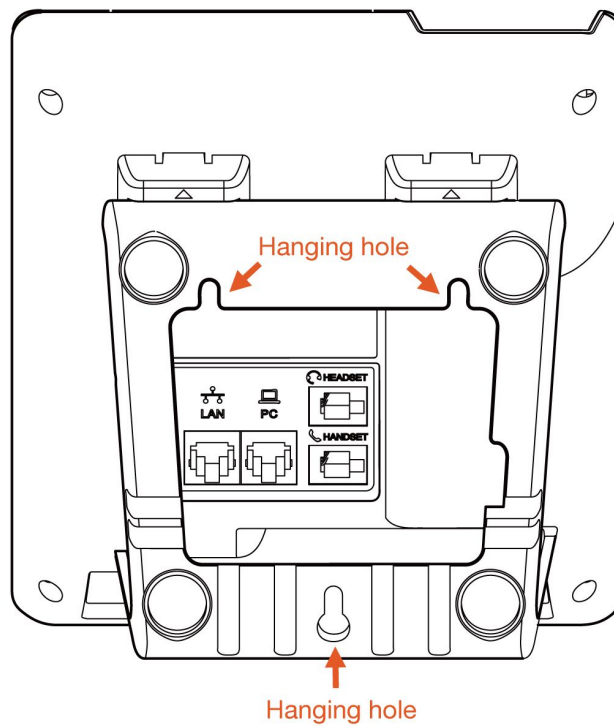
C. After install the wall-hung stand bracket, press one-side joints of stand bracket into the slot, please refer the picture as below:



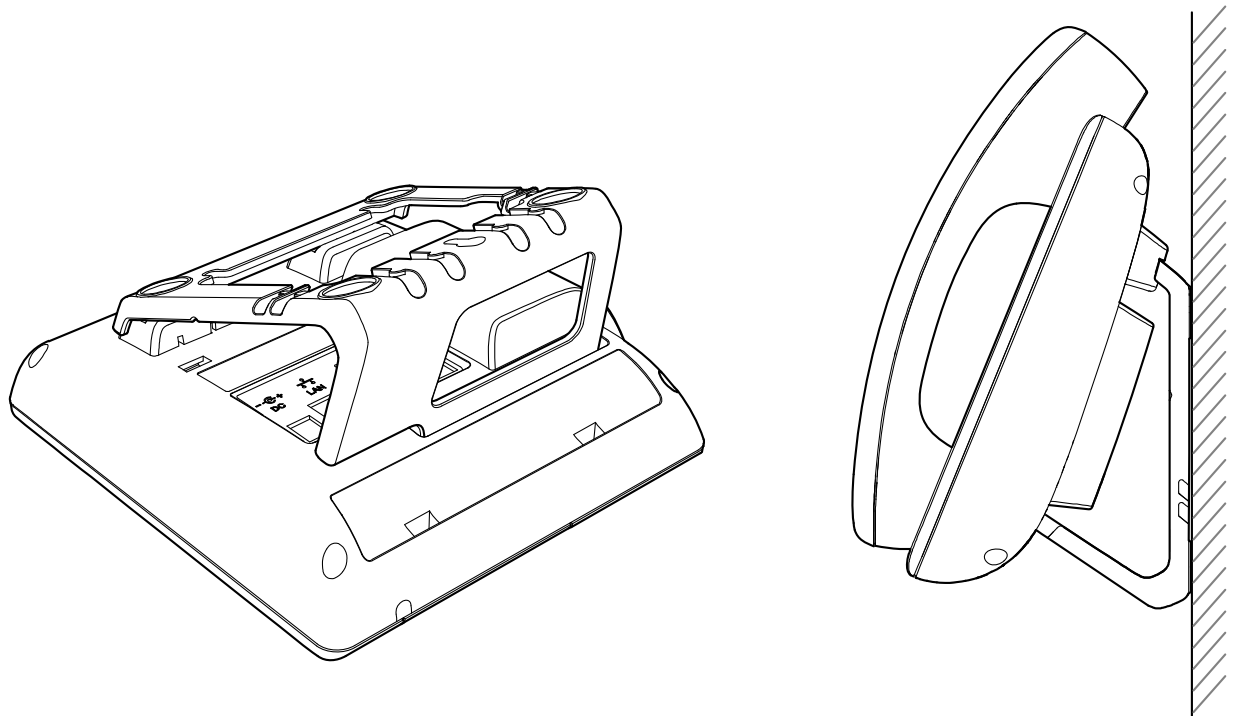
D. Press the other side joints into the slot according to the direction of the arrow



E. Knock in nails or screws on the wall according to the proportion of the distance between the hanging holes as below:

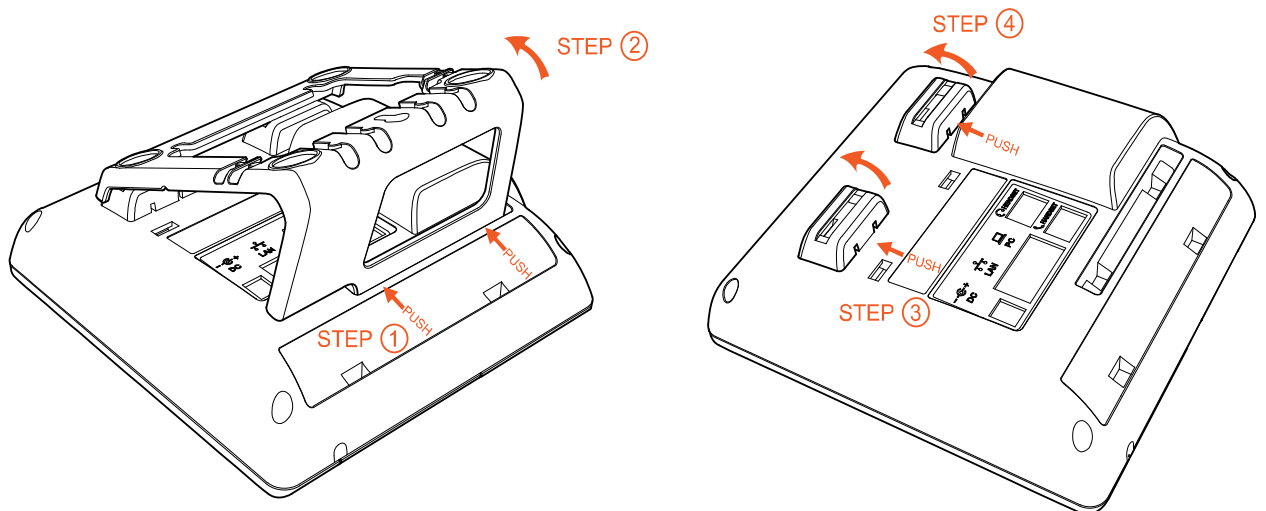


F. It is the right picture after fixing the stand bracket below:



G. Disassemble the stand bracket:

Push the spring joint of stand and pull the stand according to the direction of the arrow.



2. Configuring phone



2.1 Configuring via keypad

Language Setting: The default language of the phone is English, it supports Chinese, Russian, Arabic, German, French, Portuguese, Turkish, Spanish, Hebrew, Hungarian, Italian.

Press Menu- input default password 123- Preference- Language to edit the language list, choose the one you'd like to set on the phone.

Note: The available language maybe different, it depends on the language packs currently loaded to the IP phone.

Network Setting:

Press Menu- input default password 123- Network- modify connect type mode/ check IP address/VLAN/Web server to enter the internet related configuration page.

Or review its current IP address by pressing  key when it is powered on and connected to the network.

Account Setting:

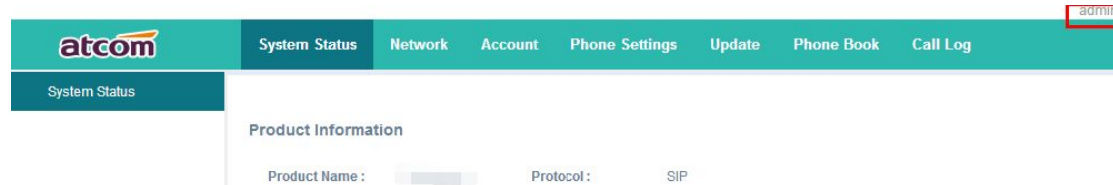
Press Menu- input default password 123- SIP Account- Enter to configure the account setting. You can refer to the bellow 'Configuring via Web page' for the parameter details.

2.2 Configuring via Webpage

2.2.1 Login to web

Modify your computer's IP address to the same network as A21. Enter A21's IP address in the web browser and press Enter, then you will access to A21's user webpage without password.

Click 'admin' which is on the right corner to enter administrator webpage.



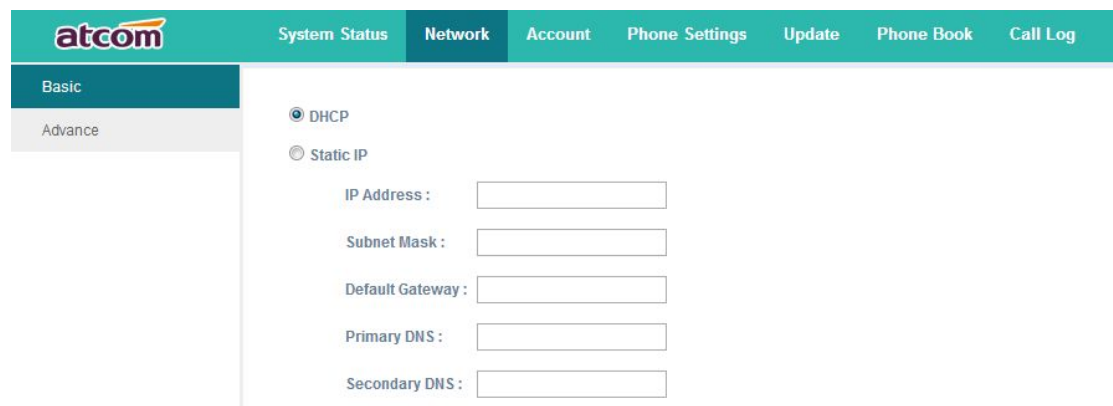
2.2.2 Configure phone to register SIP account

a) Network Configuration

LAN Port Configuration

Enter "Network" -> "Basic" page.

There are 3 ways to connect to internet DHCP and Static, please choose one according to your own situation.



- ✓ Network mode: you can choose DHCP, Static and PPPoE
- ✓ DHCP: A21 default to use DHCP to obtain IP from DHCP Server.
- ✓ Static: If you want to set the IP as static, you should fill IP, Netmask, Gateway and DNS information.
- ✓ PPPoE: If A21 is connected to the modem, you should fill ADSL account and password which are assigned by your network service provider.

Password Configuration

Enter "Network" -> "Advance" page.

There are 2 modes to set the authority of web accessing and command line:

User mode and Admin mode. All the parameters can be visible and changed in Admin mode while part of them can be visible in User mode.

Web Server

Enable Web Server :

Admin Password : User Password :

HTTP Port :

- ✓ Enable Web Server: enable or disable web access. If choose "no", you can not access A21's webpage.
- ✓ Admin password: set admin webpage access password.(username:admin)
- ✓ User password: set user webpage access password.(username:user)

b) Account Configuration

Enter "Account" -> "SIP" page to configure SIP account which is provided from the SIP Server.

SIP

Display Name : User ID :

Authenticate ID : Password :

SIP Server : SIP Port :

SIP Redundancy Server :

Use Outbound Proxy :

Outbound Proxy Server : Outbound Proxy Port :

Register Expires : Subscribe Expires :

Transport Type : SIP 100Rel Require :

Session Timer Enable : Early Update Enable :

Caller ID Display : AutoSubscribeMWIEnable :

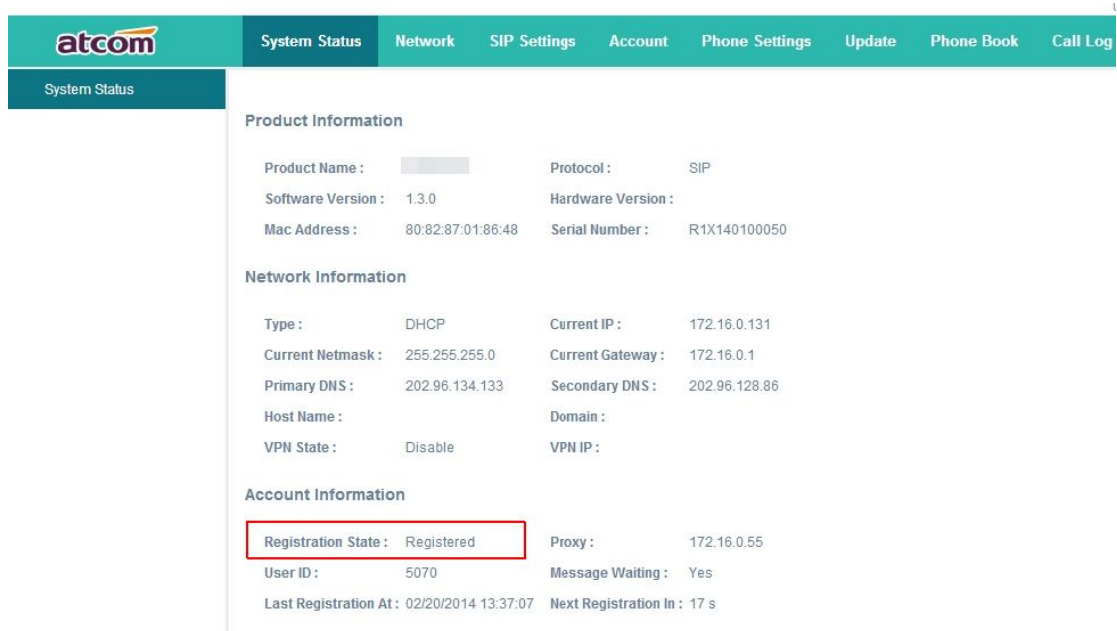
Server List : Dns Mode :

BLF List URI :

- ✓ Display Name: This name will display on the screen of A21. It will display the name configured for the SIP account by the SIP server preferentially. It can also be kept blank.
- ✓ User ID: Username of SIP account.
- ✓ Authenticate ID: normally is the same with User ID, can also be kept blank if there is no special requirement from the SIP server.
- ✓ Password: Password of SIP account.
- ✓ Sip Server: SIP server address, support both IP address and domain name.
- ✓ Sip Port: SIP server port, default is 5060.

After configured and clicked 'Submit' to enable register this account, please

check the status of this account in System Status page. The Registration State will be registered if this account registered successfully.



System Status			
Product Information			
Product Name :		Protocol :	SIP
Software Version :	1.3.0	Hardware Version :	
Mac Address :	80:82:87:01:86:48	Serial Number :	R1X140100050
Network Information			
Type :	DHCP	Current IP :	172.16.0.131
Current Netmask :	255.255.255.0	Current Gateway :	172.16.0.1
Primary DNS :	202.96.134.133	Secondary DNS :	202.96.128.86
Host Name :		Domain :	
VPN State :	Disable	VPN IP :	
Account Information			
Registration State :	Registered	Proxy :	172.16.0.55
User ID :	5070	Message Waiting :	Yes
Last Registration At :	02/20/2014 13:37:07	Next Registration In :	17 s

2.3 Wi-Fi

2.3.1 Configure the wifi on the WEB

A21 connect to network via Wi-Fi acquiescently, click "Search Wi-Fi" button to search the available Wi-Fi.



atcom		Basic	Network	SIP	Account	Phone	Update	Phonebook	Call Log
Basic									
Wi-Fi									
Advanced									
Wi-Fi Setting (When wifi is on, please disconnect the network cable!)									
Wi-Fi:		On <input checked="" type="radio"/> Off <input type="radio"/>							
		<input type="button" value="Search Wi-Fi"/>							
Current SSID:		<input type="text"/>							
Secret Key:		<input type="text"/>							
AP Setting									
Ap:		On <input type="radio"/> Off <input checked="" type="radio"/>							
<input type="button" value="Submit"/>		<input type="button" value="Reset"/>							

After all available Wi-Fi hotspots are list out, click the round behind the available Wi-Fi which you want to connect.

序号	SSID	加密模式	信号	选择
1	ACCROSER5	WPA2PSK/AES	100	<input type="radio"/>
2	0xE7B2A4E5BBB7E8BDA9E6A5BCE4B8	WPA2PSK/AES	100	<input type="radio"/>
3	TP-LINK_9C5BBE	WPA2PSK/AES	100	<input type="radio"/>
4	Accesser009	WPA1PSKWPA2PSK/AES	100	<input type="radio"/>
5	0xE581B7E7AAA5E78B82	WPA2PSK/AES	86	<input type="radio"/>
6	360WiFi-C8C9	NONE	81	<input type="radio"/>
7	pushed	WPA2PSK/AES	76	<input type="radio"/>
8	D-Link_test	WPA1PSKWPA2PSK/TKIPAES	76	<input type="radio"/>
9	TOJI	WPA1PSKWPA2PSK/AES	50	<input type="radio"/>
10	ch3nvi	WPA1PSKWPA2PSK/AES	30	<input type="radio"/>

Input the right "Secret Key" and then click the "Submit" button, the phone will reboot, and you should disconnect the wire that connect to A21 during rebooting, or the phone will connect to network via wire preferentially. The Wi-Fi icon will display on the home screen, it means connect failed when the icon come with ×, you should to check the configuration.

2.3.2 Configure the wifi on the phone

1、 Press "Menu"->"Network"->"Connect Mode",change for the wifi connection mode,press "OK".

2、 Press "Menu"->"Network"->"WIFI setting"->"WLAN",choose the wifi you want to connect,Press

"Connect",then input the correct wifi password.

3、 Return to the standby interface,and phone successful connected to the wifi.